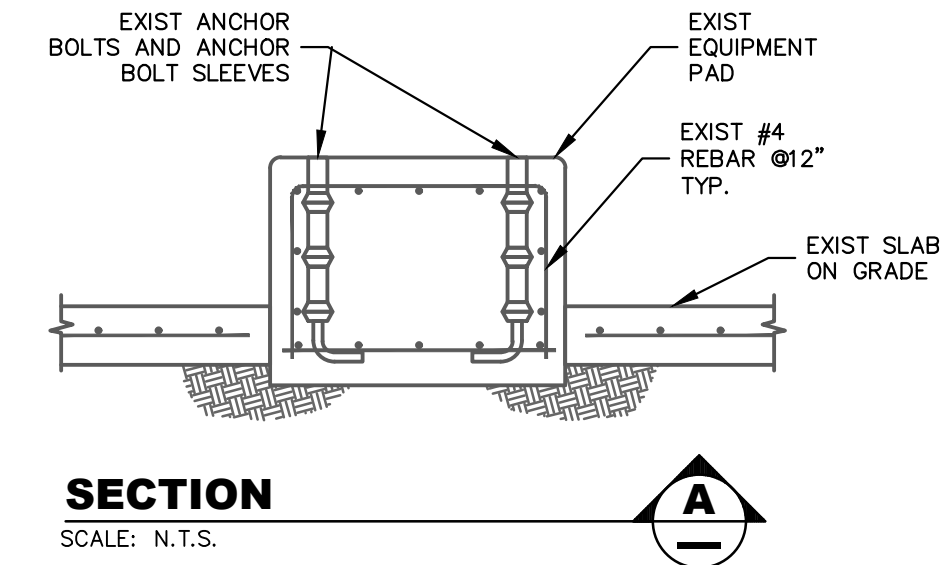
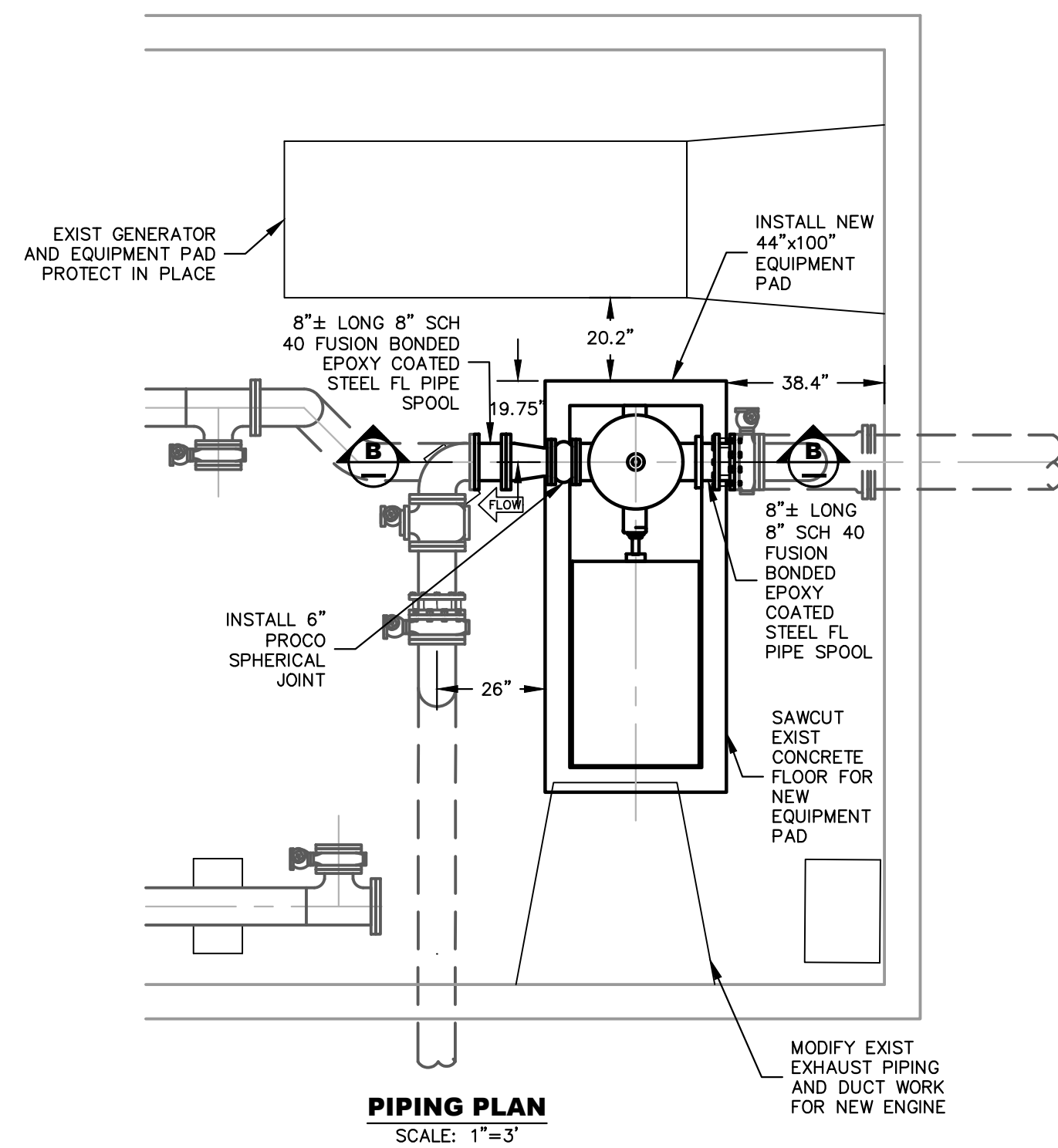


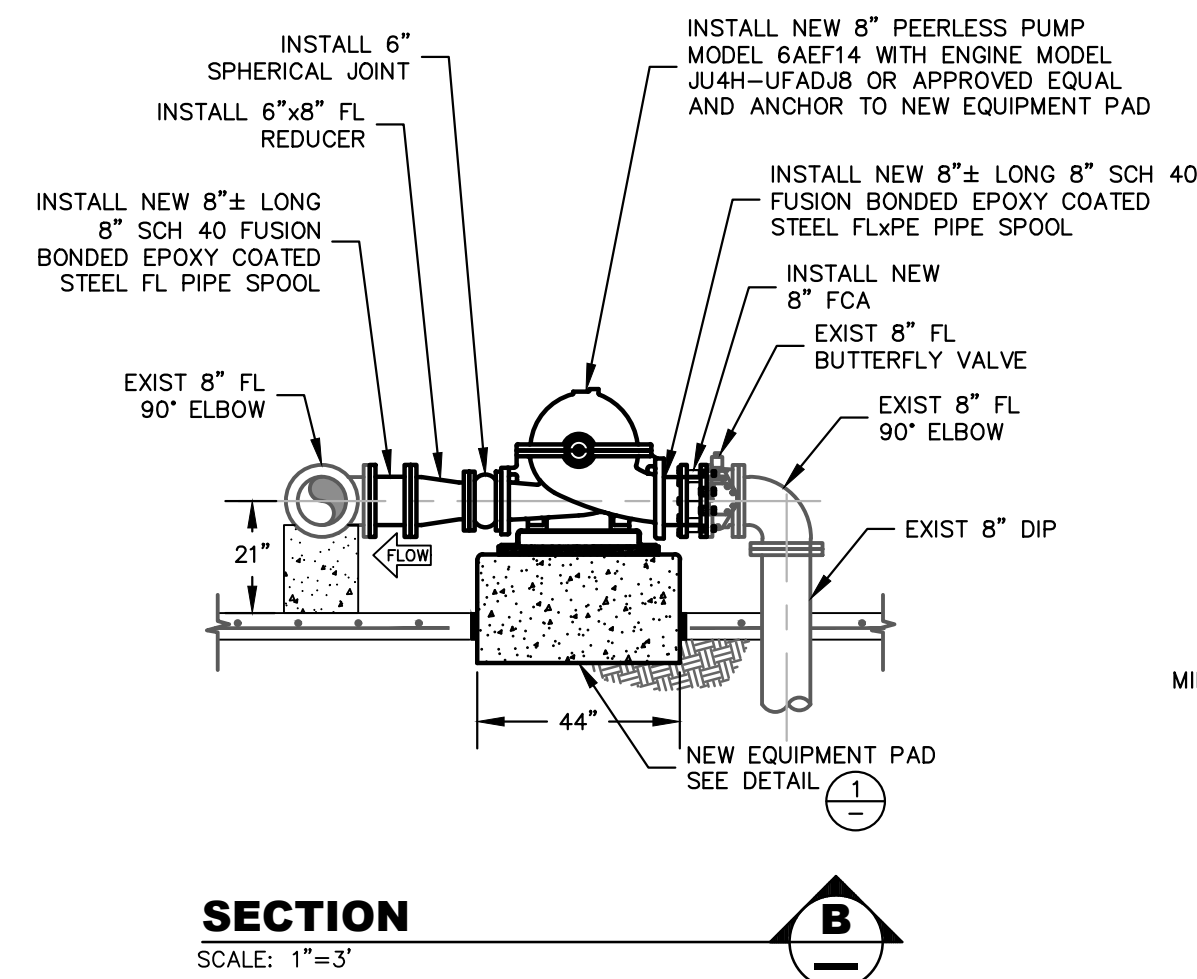
DEMO PLAN
SCALE: 1"=3'



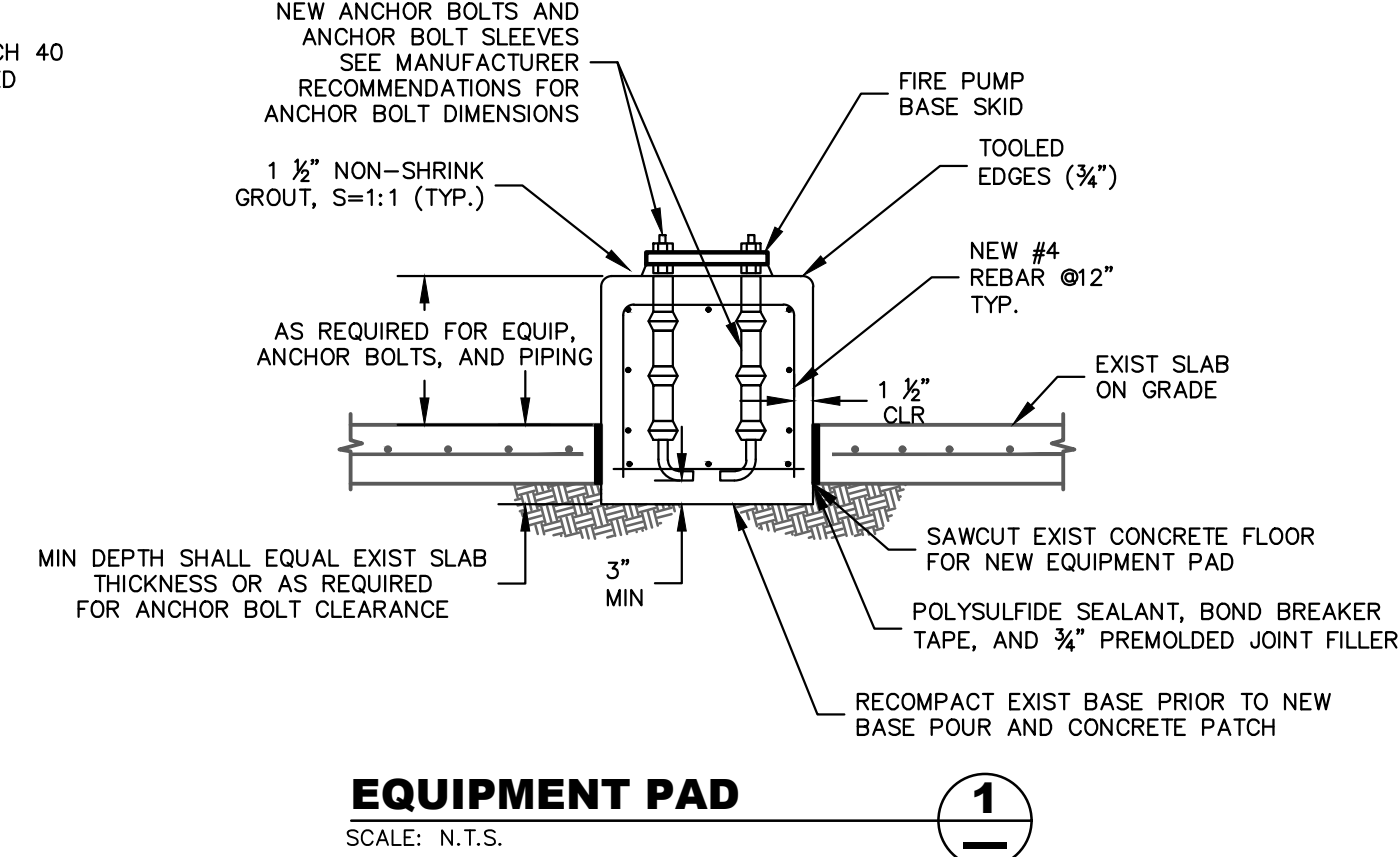
SECTION
SCALE: N.T.S.



PIPING PLAN
SCALE: 1"=3'



SECTION
SCALE: 1"=3'



EQUIPMENT PAD
SCALE: N.T.S.

- NOTES:**
- 1) PUMP MUST HAVE IT'S OWN TRANSFER SWITCH FROM GENERATOR.
 - 2) PUMP MUST BE CONNECTED INTO THE CITY OF VALDEZ TELEMETRY.
 - 3) PUMP MUST BE FM/UL LISTED.
 - 4) ALL PROPOSED COMPONENTS MUST MEET THE REDUCTION OF LEAD IN DRINKING WATER ACT 18 AAC 80.205(B)(7) AND 18 AAC 80.500.
 - 5) ALL PROPOSED COMPONENTS MUST BE NSF STANDARD 61 APPROVED.
 - 6) THE PROPOSED COMPONENTS MUST BE SWABBED WITH CHLORINE BEFORE INSTALLATION FOR DISINFECTION.
 - 7) INSTALL 1" CONDUIT FROM THE EXISTING RTU TO THE DIESEL CONTROL PANEL WITH (12) #14 THHN CONDUCTORS.

NO.	DESCRIPTION	DATE	BY	REVISION

DEMO & PIPING PLAN

ROBE RIVER PUMP STATION LARGE PUMP REPLACEMENT VALDEZ, ALASKA

